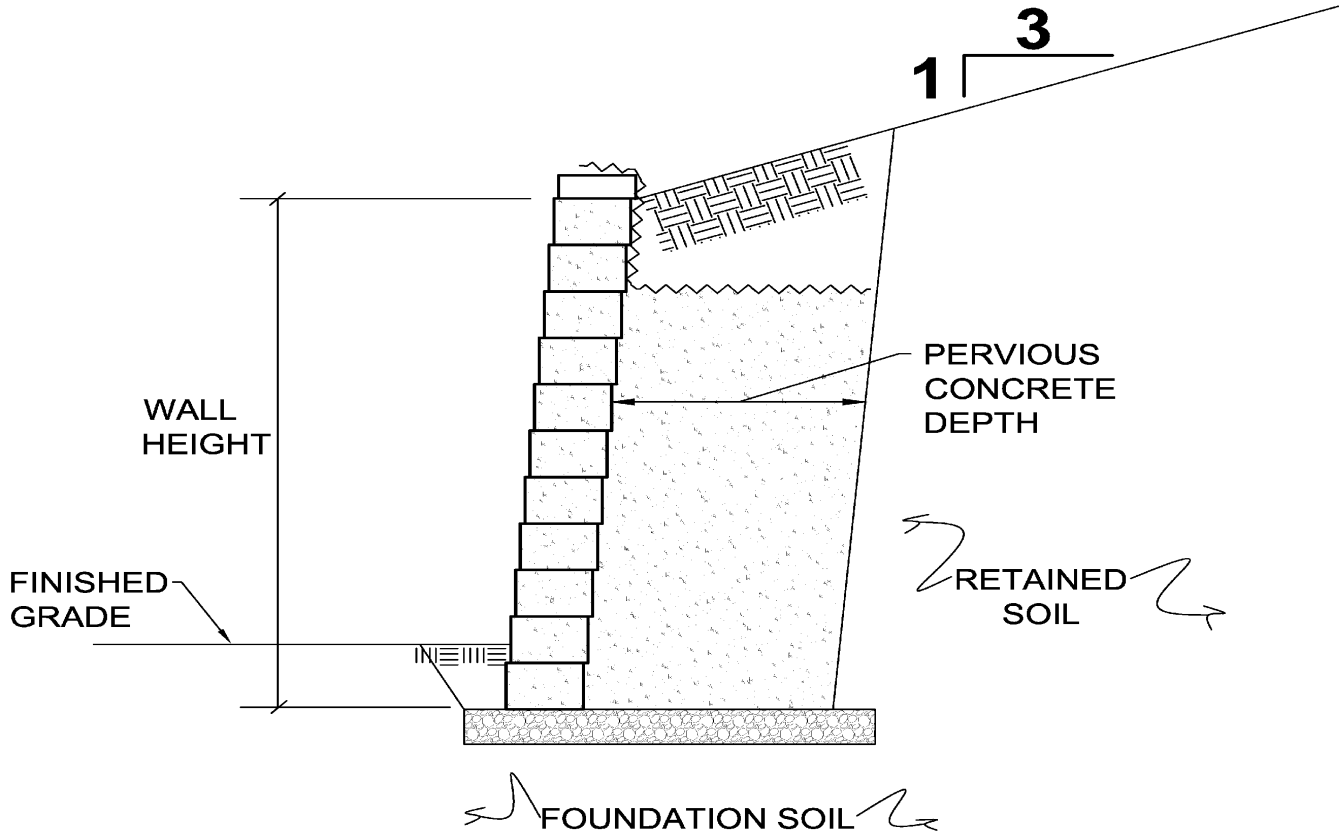


TRINITY WALL SYSTEM

Pervious Concrete Backfill Estimating Charts



3:1 Surcharge, $\gamma = 120$ PCF, $c' = 100$ psf

$\Phi = 28^\circ$ Silt/Clayey Soils		$\Phi = 30^\circ$ Sandy Soils		$\Phi = 34^\circ$ Gravel Soils	
Wall Height	Porous Concrete Depth	Wall Height	Porous Concrete Depth	Wall Height	Porous Concrete Depth
2.67'	1' 0"	2.67'	1' 0"	2.67'	1' 0"
4.00'	1' 8"	4.00'	1' 2"	4.00'	1' 0"
5.34'	2' 0"	5.34'	1' 8"	5.34'	1' 2"
6.67'	2' 8"	6.67'	2' 0"	6.67'	1' 8"
8.00'	3' 6"	8.00'	2' 6"	8.00'	2' 6"
9.34'	4' 6"	9.34'	3' 0"	9.34'	3' 2"
10.67'	5' 2"	10.67'	3' 8"	10.67'	3' 6"

The soils effective friction angle and unit weight as outlined above is assumed to exist in the retained and foundation zones.

FOR STAMPED FINAL DESIGNS BY A PROFESSIONAL ENGINEER CALL 678.594.3451.

TRINITY

Segmental Block Wall System

Earth Wall Products, LLC (EWP)
 Marietta, Georgia USA
 Tel: 678.594.3451
www.earthwallproducts.com

The information contained herein has been compiled by Earth Wall Products, LLC and to the best of our knowledge, accurately represents the Trinity Block product use in the applications which are illustrated. Final determination of the suitability for the use contemplated and its manner of use are the sole responsibility of the user. Final structural design and analysis shall be performed by a qualified engineer.