



COLLECTOR DRAIN

Product Data Sheet

April 2020

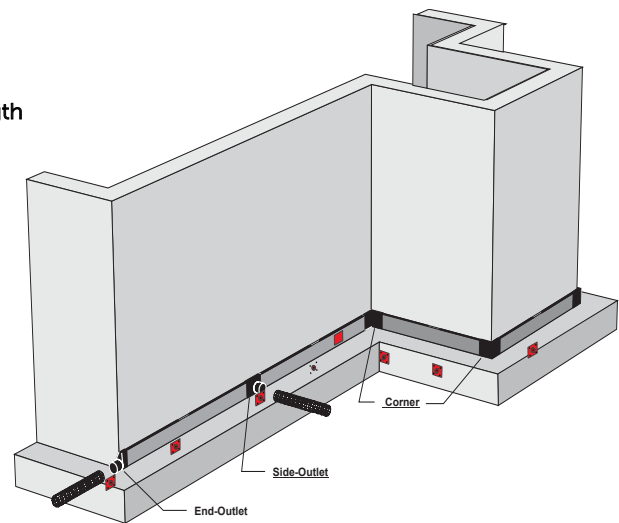
CD is a modular composite drainage and collection system consisting of a 3-dimensional, high-flow, drainage core which is wrapped with a non-woven filter fabric. It is designed to replace a conventional sand or gravel covered pipe drain around building foundations and retaining walls. Soil particles are held back by the filter fabric allowing water to pass through to the drain core for easy removal by sump or by running to daylight. Available in 12 inch widths. A full array of fittings are available in the system to allow for a fast and easy installation.

Physical Properties

	Core		Fabric		
	Compressive Strength (ASTMD-1621)	9,500 psf (455 kN/m ²)		Flow (ASTMD-4491)	140 gpm/ft ² (5698 lpm/m ²)
	Thickness (ASTM-1777)	1 in. (2.54 cm.)		Puncture (ASTMD-4833)	65 lbs. (.30 kN)
	Flow (ASTMD-4716) (Hydraulic gradient = .1)	30 gpm/ft width (372 lpm/m)		AOS (ASTMD-4751)	70 U.S. Sieve (.212 mm)
Roll	Roll Weight:	65 lbs. (29.2 kgs.)		Grab Tensile (ASTMD-4632)	100 lbs. (.45 kN)
	Roll Width:	12" (30 cm.)			
	Roll Length:	165 ft. (50.29 meters)			

INSTALLATION INSTRUCTIONS:

1. Apply waterproofing system to wall.
2. Determine location of fittings for base part. Cut CD to proper length between fittings. (Allow for extra length for insertion into fittings). Insert CD completely into fittings.
3. Bond fittings and CD to base of wall with either soil, waterproofing mastic, panel adhesive, insulation or board adhesive.
4. Connect base fittings to 4" corrugated plastic drain pipe And run to sump or daylight. Special care should be taken to properly compact soil under drain pipe to prevent settling of drain pipe.
5. Backfill and compact soil.



The use and selection of the product above should be completed by a competent design professional. Specifications as outlined above are subject to change. The products above are specifically designed for subsurface drainage only. Earth Wall Products, LLC has compiled the above information based on tests conducted in accordance with recognized Industry Standards. Earth Wall Products will have no liability for consequential damages. No warranties are express or implied, including without limitation any warranties of fitness for a particular purpose, marketability, value, or condition. Regardless of the cause of action or legal theory, the liability of Earth Wall Products shall be limited to the fee paid to Earth Wall Products. Copyright 2020 by Earth Wall Products, LLC.

EARTH WALL PRODUCTS

earthwallproducts.com

PH 678.594.3451