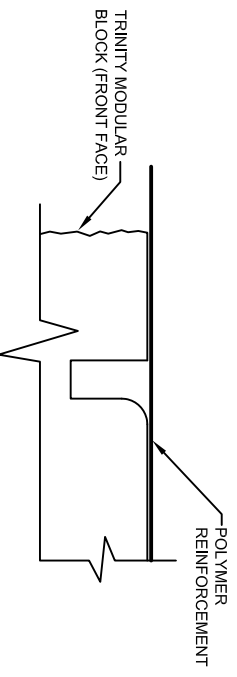
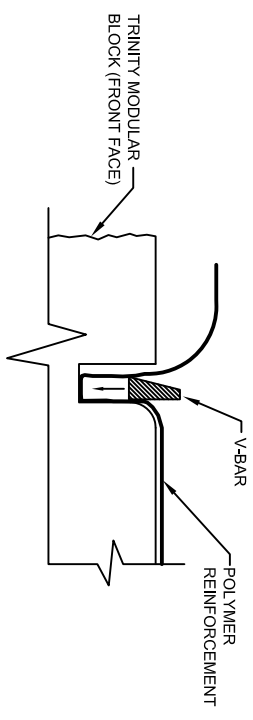


GEOGRID MECHANICAL CONNECTION DETAIL

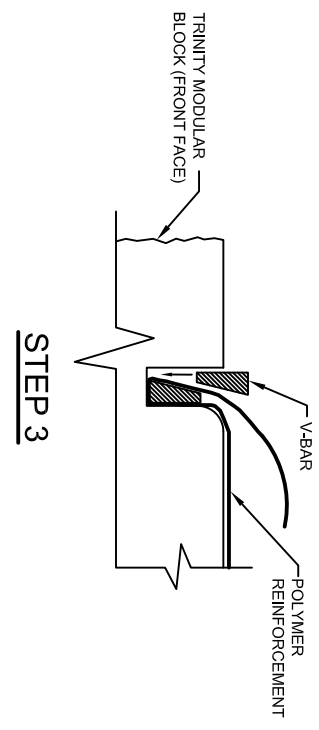
NOT TO SCALE



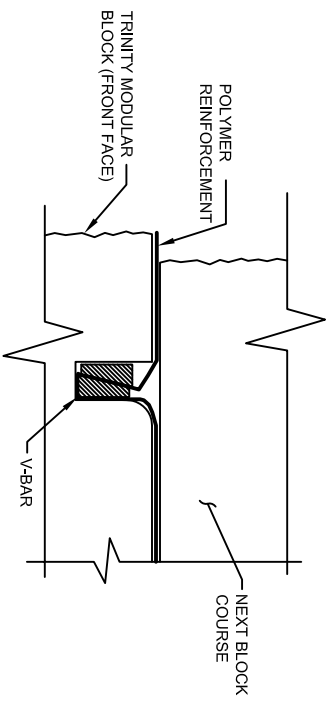
STEP 1



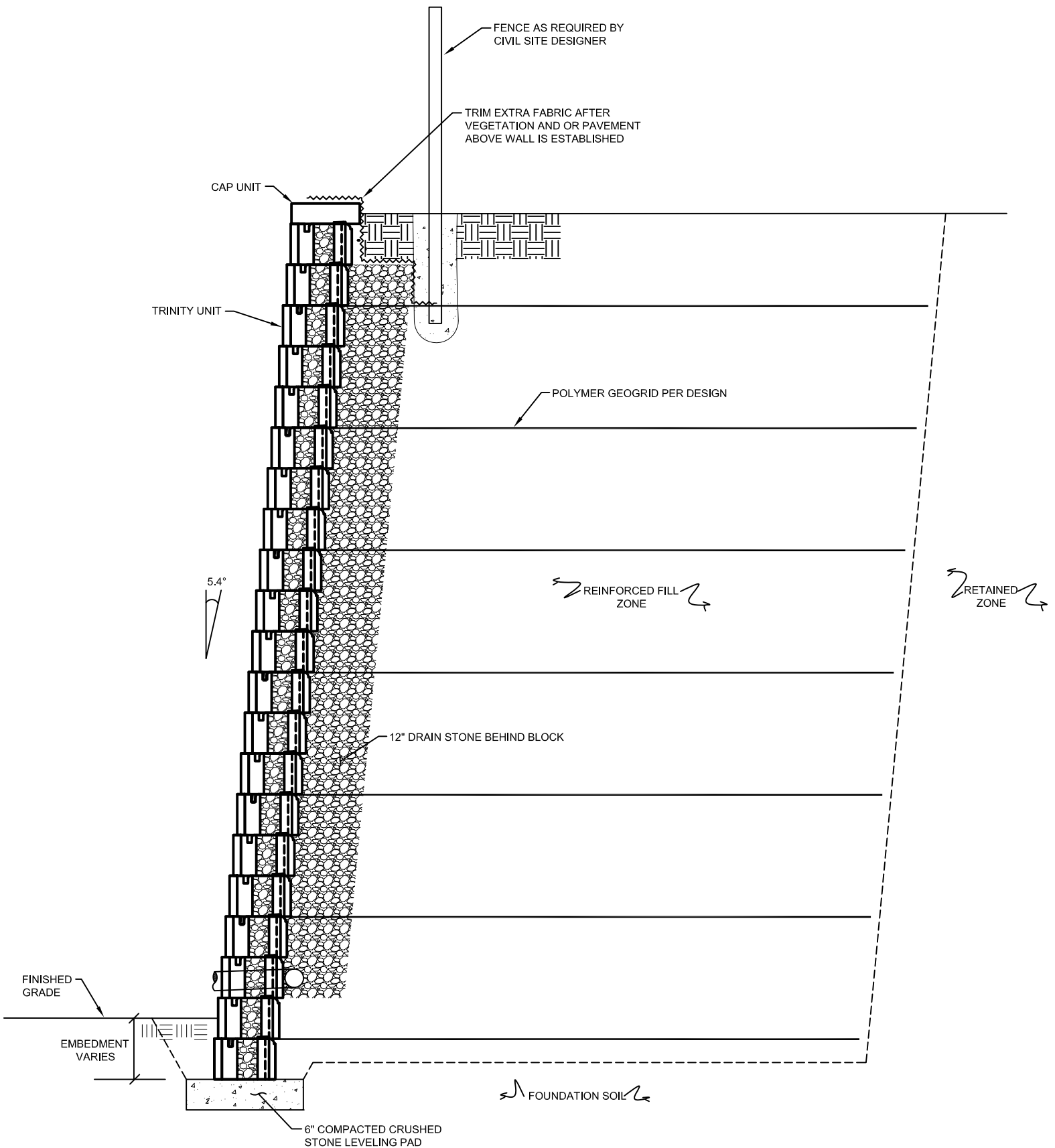
STEP 2



STEP 3



STEP 4



**GEOGRID REINFORCED
TYPICAL CROSS-SECTION**
NOT TO SCALE