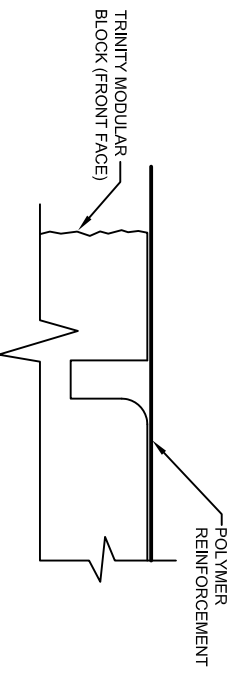
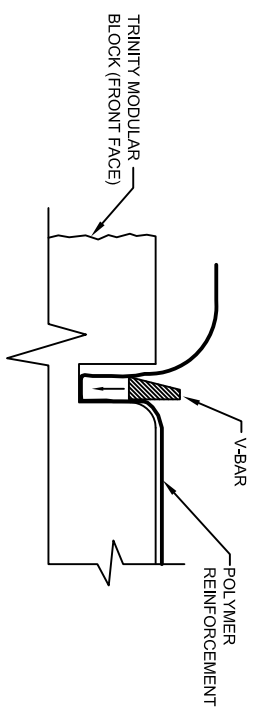


GEOGRID MECHANICAL CONNECTION DETAIL

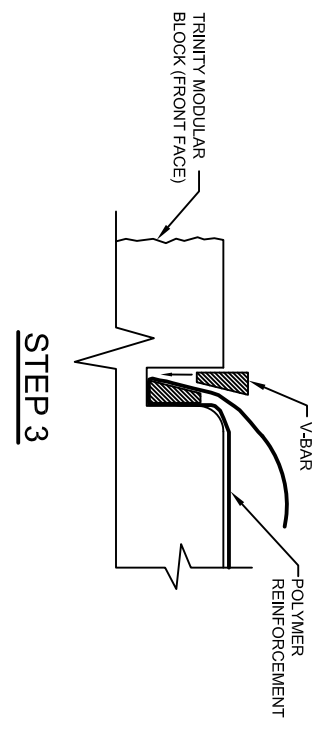
NOT TO SCALE



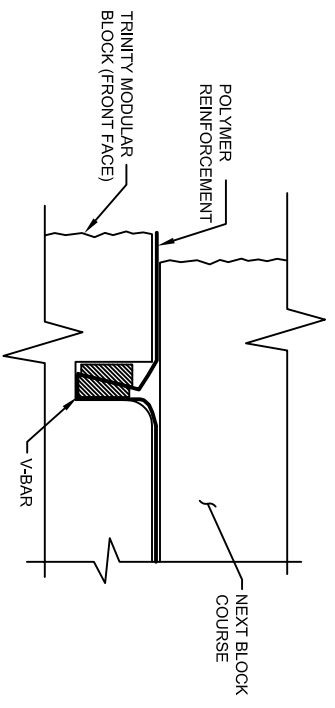
STEP 1



STEP 2



STEP 3



STEP 4